



QCglass

GLASS PROPERTIES

- E Modulus of Elasticity (Young Modulus) 10.4x106 psi
7.2 x 1010 N/m2
- G Modulus of Rigidity (Shear Modulus) 4.3x106 psi
3.0 x 1010 N/m2
- Modulus of Rupture (Flexure) Heat-Strengthened 9,000 - 12,000 psi

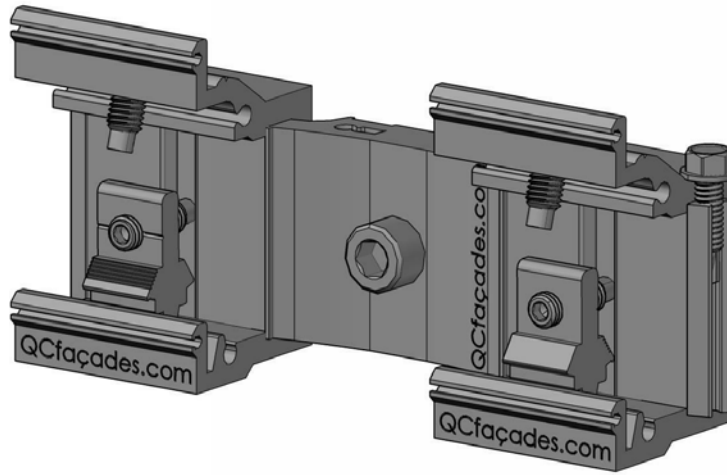
NOTE:

WALLS, WINDOW SYSTEMS, WATERPROOFING, INSULATION, SEALANT, FLASHING, ANCHORS, & FASTENERS SHOWN FOR CONTEXT AND ILLUSTRATION PURPOSES ONLY. THESE COMPONENTS ARE NOT PROVIDED BY QC FACADES THEY ARE TO BE COORDINATED & SUPPLIED BY THE INSTALLER OR OTHER RELEVANT TRADES. PLEASE CONSULT THE RELEVANT EXPERT ABOUT ALL COMPONENTS OUTSIDE OF QC FACADES SYSTEM'S SCOPE.

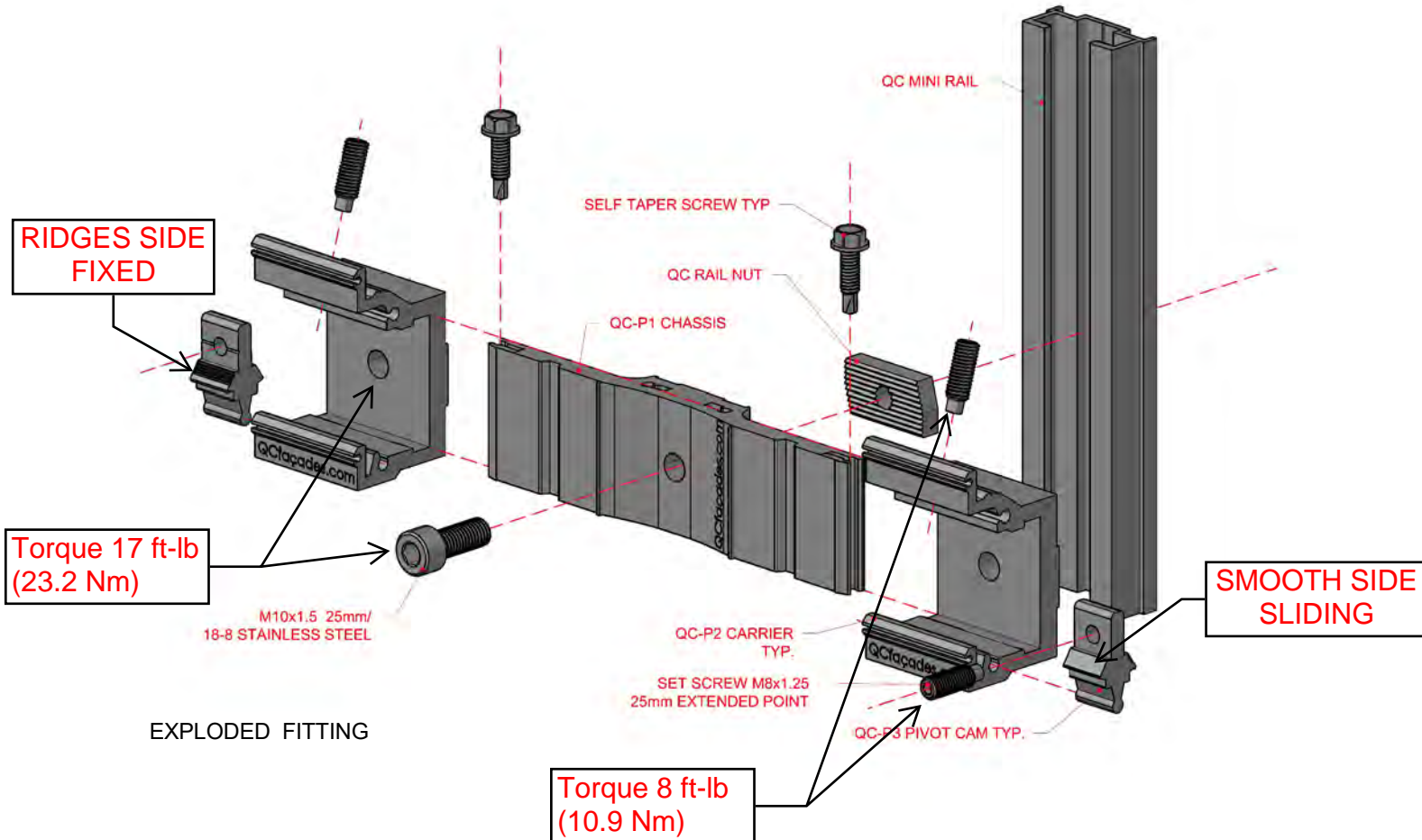
THIS DRAWING IS COPYRIGHT AND SHOULD NOT BE USED OR REPRODUCED FOR ANY PURPOSE OTHER THAN FOR WHICH IT IS SUPPLIED, WITHOUT WRITTEN CONSENT FROM QC FACADES. DRAWINGS ARE NOT TO SCALE. DETAILS PROVIDED FOR TYPICAL CONDITIONS ONLY AND ACTUAL PROJECT REQUIREMENTS MAY VARY. ©2016 QC FACADES



QC-A1 GLASS FITTING



ASSEMBLED FITTING



EXPLODED FITTING

NOTE:
WALLS, WINDOW SYSTEMS, WATERPROOFING, INSULATION, SEALANT, FLASHING, ANCHORS, & FASTENERS SHOWN FOR CONTEXT AND ILLUSTRATION PURPOSES ONLY. THESE COMPONENTS ARE NOT PROVIDED BY QC FACADES THEY ARE TO BE COORDINATED & SUPPLIED BY THE INSTALLER OR OTHER RELEVANT TRADES. PLEASE CONSULT THE RELEVANT EXPERT ABOUT ALL COMPONENTS OUTSIDE OF QC FACADES SYSTEM'S SCOPE.

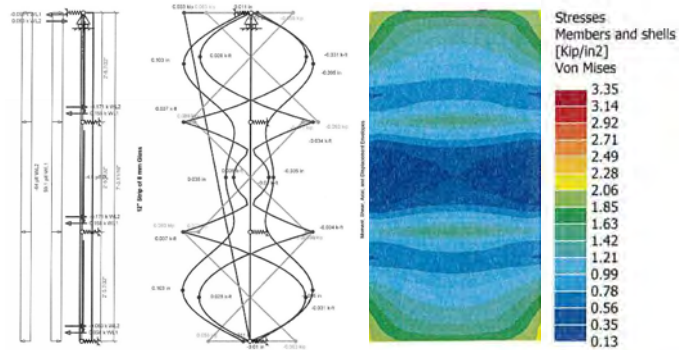
THIS DRAWING IS COPYRIGHT AND SHOULD NOT BE USED OR REPRODUCED FOR ANY PURPOSE OTHER THAN FOR WHICH IT IS SUPPLIED, WITHOUT WRITTEN CONSENT FROM QC FACADES. DRAWINGS ARE NOT TO SCALE. DETAILS PROVIDED FOR TYPICAL CONDITIONS ONLY AND ACTUAL PROJECT REQUIREMENTS MAY VARY. ©2016 QC FACADES

HURRICANE BRACE



HIGH LOAD REQUIREMENT - PROJECT SPECIFIC STRUCTURAL LOADING - REFERENCED STRUCTURAL CALCULATIONS

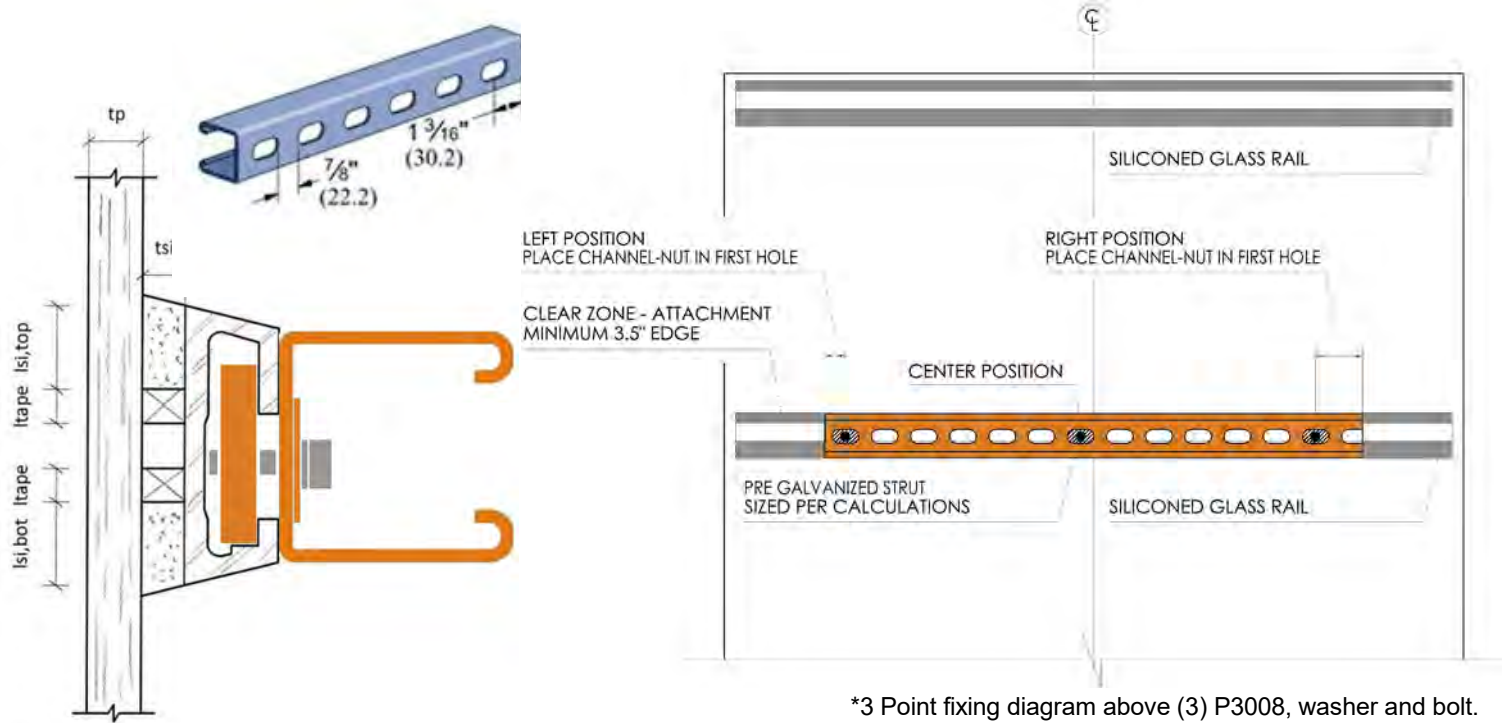
- As designed and designated the Hurricane Brace has been structural sized to help meet or exceed the required wind loads based on various regions and coast lines within the US.
- The Hurricane Brace is designed to add additional support to the QC-GLASS rainscreen system.
- By adding the Hurricane Brace to the back of the engineered system this helps deflect loads to the supporting members and lessen the deflection experienced on the glass at it's mid-span/mid-zones allowing structural code requirements to be met.



*Deflection limits in Kips/in2 (Von Mises)

HURRICANE BRACE DETAIL - ATTACHMENT TO BACK OF GLASS RAIL:

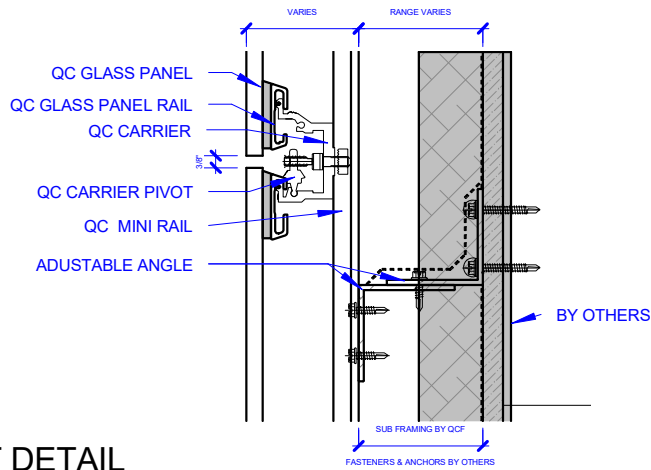
- attach strut member to the back of glass rail using P3008 Channel Nut -



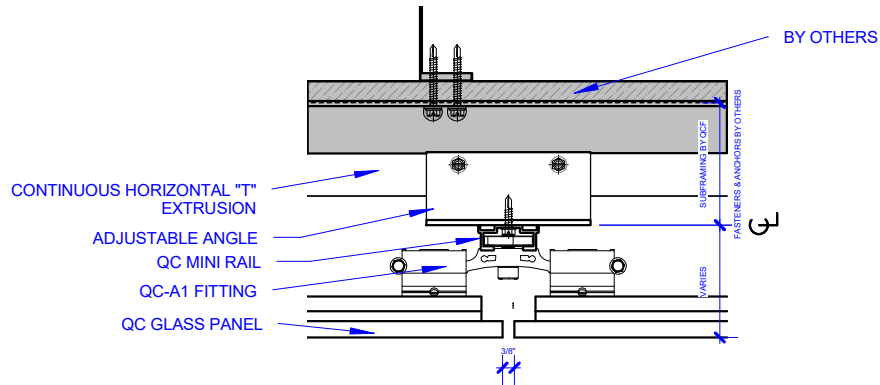
NOTE:
WALLS, WINDOW SYSTEMS, WATERPROOFING, INSULATION, SEALANT, FLASHING, ANCHORS, & FASTENERS SHOWN FOR CONTEXT AND ILLUSTRATION PURPOSES ONLY.
THESE COMPONENTS ARE NOT PROVIDED BY QC FAÇADES THEY ARE TO BE COORDINATED & SUPPLIED BY THE INSTALLER OR OTHER RELEVANT TRADES.
PLEASE CONSULT THE RELEVANT EXPERT ABOUT ALL COMPONENTS OUTSIDE OF QC FAÇADES SYSTEM'S SCOPE.

THIS DRAWING IS COPYRIGHT AND SHOULD NOT BE USED OR REPRODUCED FOR ANY PURPOSE OTHER THAN FOR WHICH IT IS SUPPLIED, WITHOUT WRITTEN CONSENT FROM QC FAÇADES. DRAWINGS ARE NOT TO SCALE. DETAILS PROVIDED FOR TYPICAL CONDITIONS ONLY AND ACTUAL PROJECT REQUIREMENTS MAY VARY. ©2016 QC FAÇADES

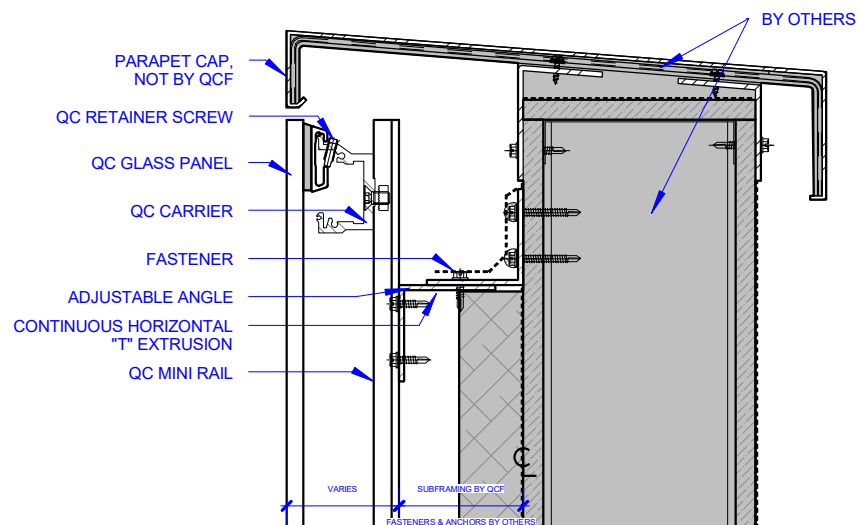
(A) HORIZONTAL JOINT DETAIL



(B) VERTICAL JOINT DETAIL



(C) PARAPET DETAIL

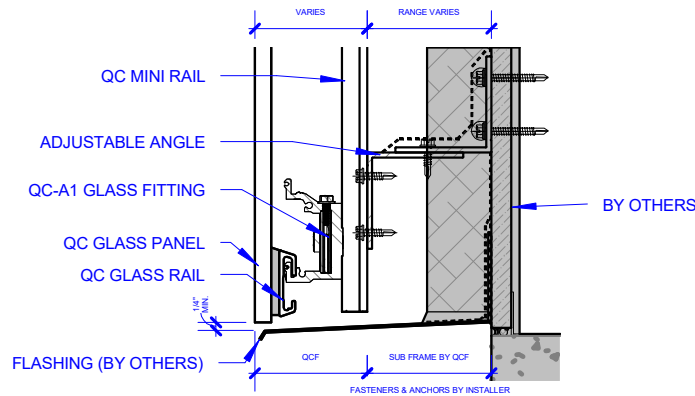


NOTE:
WALLS, WINDOW SYSTEMS, WATERPROOFING, INSULATION, SEALANT, FLASHING, ANCHORS, & FASTENERS SHOWN FOR CONTEXT AND ILLUSTRATION PURPOSES ONLY. THESE COMPONENTS ARE NOT PROVIDED BY QC FACADES THEY ARE TO BE COORDINATED & SUPPLIED BY THE INSTALLER OR OTHER RELEVANT TRADES. PLEASE CONSULT THE RELEVANT EXPERT ABOUT ALL COMPONENTS OUTSIDE OF QC FACADES SYSTEM'S SCOPE.

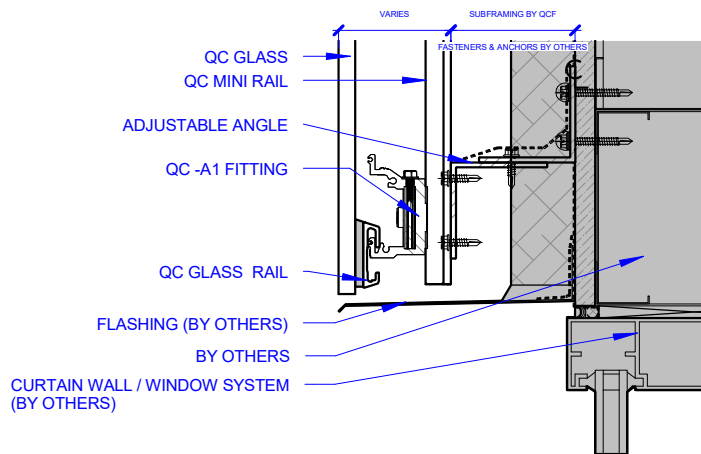
THIS DRAWING IS COPYRIGHT AND SHOULD NOT BE USED OR REPRODUCED FOR ANY PURPOSE OTHER THAN FOR WHICH IT IS SUPPLIED, WITHOUT WRITTEN CONSENT FROM QC FACADES. DRAWINGS ARE NOT TO SCALE. DETAILS PROVIDED FOR TYPICAL CONDITIONS ONLY AND ACTUAL PROJECT REQUIREMENTS MAY VARY. ©2016 QC FACADES



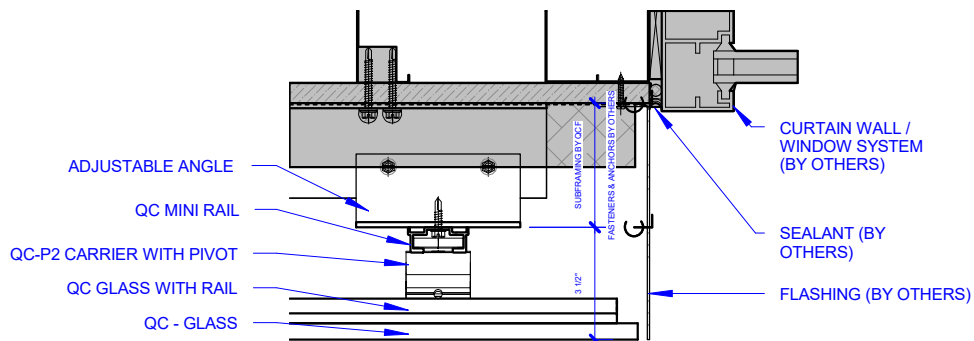
D BOTTOM OF WALL DETAIL



E WINDOW HEAD DETAIL



F WINDOW JAMB DETAIL

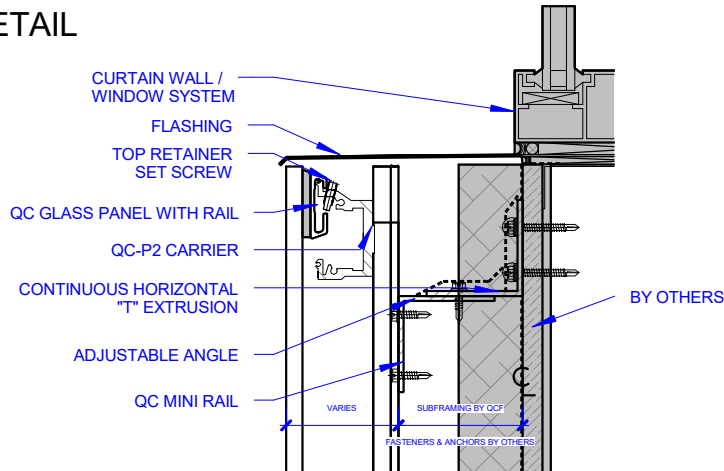


NOTE:
WALLS, WINDOW SYSTEMS, WATERPROOFING, INSULATION, SEALANT, FLASHING, ANCHORS, & FASTENERS SHOWN FOR CONTEXT AND ILLUSTRATION PURPOSES ONLY. THESE COMPONENTS ARE NOT PROVIDED BY QC FACADES THEY ARE TO BE COORDINATED & SUPPLIED BY THE INSTALLER OR OTHER RELEVANT TRADES. PLEASE CONSULT THE RELEVANT EXPERT ABOUT ALL COMPONENTS OUTSIDE OF QC FACADES SYSTEM'S SCOPE.

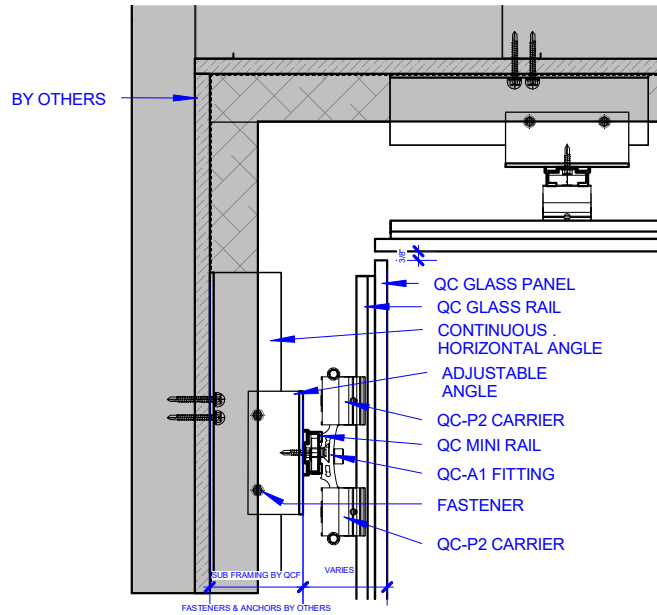
THIS DRAWING IS COPYRIGHT AND SHOULD NOT BE USED OR REPRODUCED FOR ANY PURPOSE OTHER THAN FOR WHICH IT IS SUPPLIED, WITHOUT WRITTEN CONSENT FROM QC FACADES. DRAWINGS ARE NOT TO SCALE. DETAILS PROVIDED FOR TYPICAL CONDITIONS ONLY AND ACTUAL PROJECT REQUIREMENTS MAY VARY. ©2016 QC FACADES



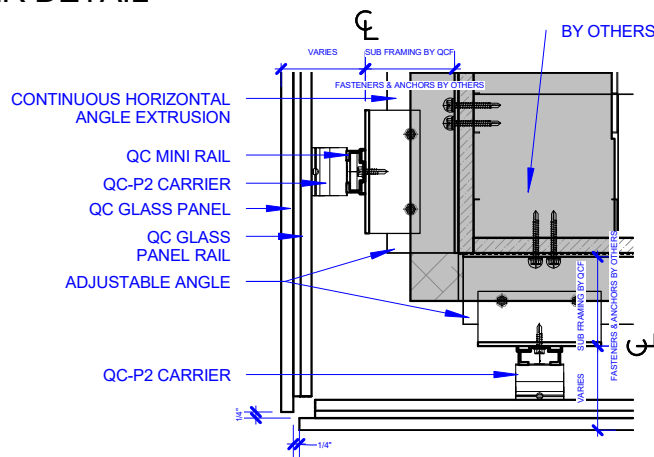
G WINDOW SILL DETAIL



H INSIDE CORNER DETAIL



I OUTSIDE CORNER DETAIL



NOTE:
WALLS, WINDOW SYSTEMS, WATERPROOFING, INSULATION, SEALANT, FLASHING, ANCHORS, & FASTENERS SHOWN FOR CONTEXT AND ILLUSTRATION PURPOSES ONLY. THESE COMPONENTS ARE NOT PROVIDED BY QC FACADES THEY ARE TO BE COORDINATED & SUPPLIED BY THE INSTALLER OR OTHER RELEVANT TRADES. PLEASE CONSULT THE RELEVANT EXPERT ABOUT ALL COMPONENTS OUTSIDE OF QC FACADES SYSTEM'S SCOPE.

THIS DRAWING IS COPYRIGHT AND SHOULD NOT BE USED OR REPRODUCED FOR ANY PURPOSE OTHER THAN FOR WHICH IT IS SUPPLIED, WITHOUT WRITTEN CONSENT FROM QC FACADES. DRAWINGS ARE NOT TO SCALE. DETAILS PROVIDED FOR TYPICAL CONDITIONS ONLY AND ACTUAL PROJECT REQUIREMENTS MAY VARY. ©2016 QC FACADES