



QC200

METAL PROPERTIES

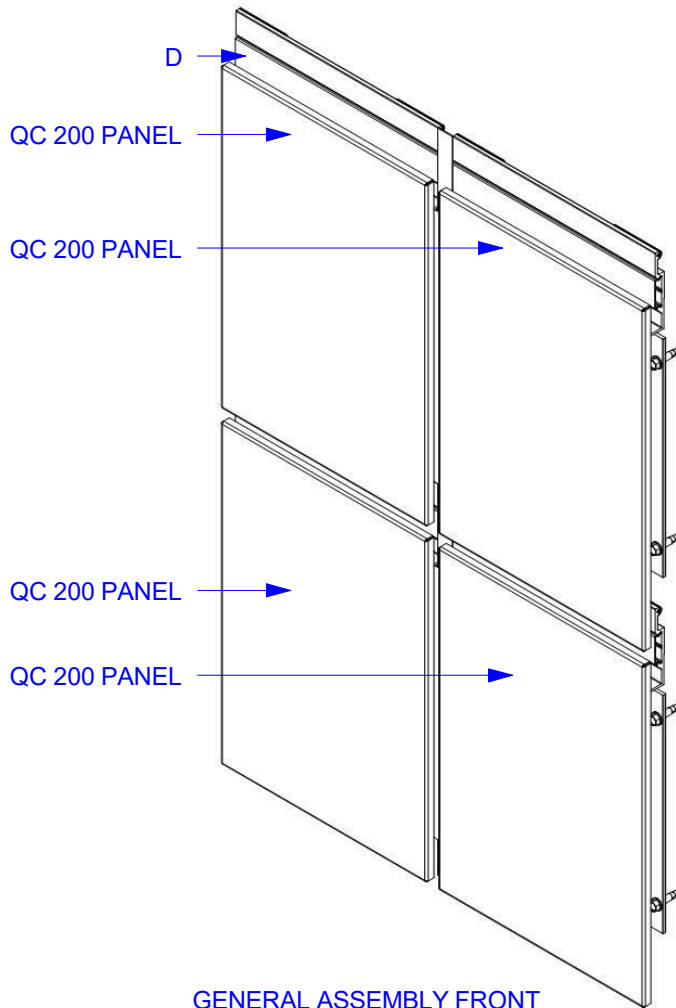
- **E Modulus of Elasticity (Young Modulus)** **10100 psi**
- **L Deflection Criteria of Aluminum Panel** **L/180(may vary by product)**

| Product | Offered by QCF | 3' X length | 4' X length | 5' X length | Flatness Differential | Fire Rated | NOA | Max Dim | Joint Type | Joint Sizes | Finishes Opts. | Best Orient. |
|---------------------|----------------|-------------|-------------|-------------|-----------------------|------------------|-----------|----------|------------|-------------|----------------|----------------|
| QC50 (1") | YES | L / 240 | L / 180 | L / 120 | 2 x allow able code | BS 476 Class A | none | 4' x 16' | Varies | Varies | Zinc/SS/Alum | Vert / Horiztl |
| QC100 | YES | L / 240 | L / 180 | L / 120 | 2 x allow able code | BS 476 Class A | none | 5' x 20' | Labrinth | 1" | Zinc/Alum | Vertical |
| QC200 | YES | L / 240 | L / 180 | L / 120 | 2 x allow able code | BS 476 Class A | none | 5' x 20' | Ship Lap | 1/2" | Zinc/Alum | Vert / Horiztl |
| QC300 | YES | L / 240 | L / 180 | L / 120 | 2 x allow able code | NFPA 285 Class A | Certified | 5' x 20' | Open | 3/8" | Zinc/Alum | Vert / Horiztl |
| QC SI (Plate) | YES | L / 180 | L / 120 | L / 60 | Minimum Code | All Alum. Const. | - | 5' x 20' | Ship Lap | 1/2" | Zinc/Alum | Vert / Horiztl |
| ACM - Plastic Core | NO | L / 180 | L / 120 | L / 60 | Minimum Code | Non - approved | Varies | 4' x 14' | 4' x 14' | varies | Zinc/SS/Alum | Vert / Horiztl |
| Storefront Mullions | NO | L / 120 | L / 120 | L / 120 | | Varies | Varies | N/A | N/A | N/A | Zinc/SS/Alum | N/A |

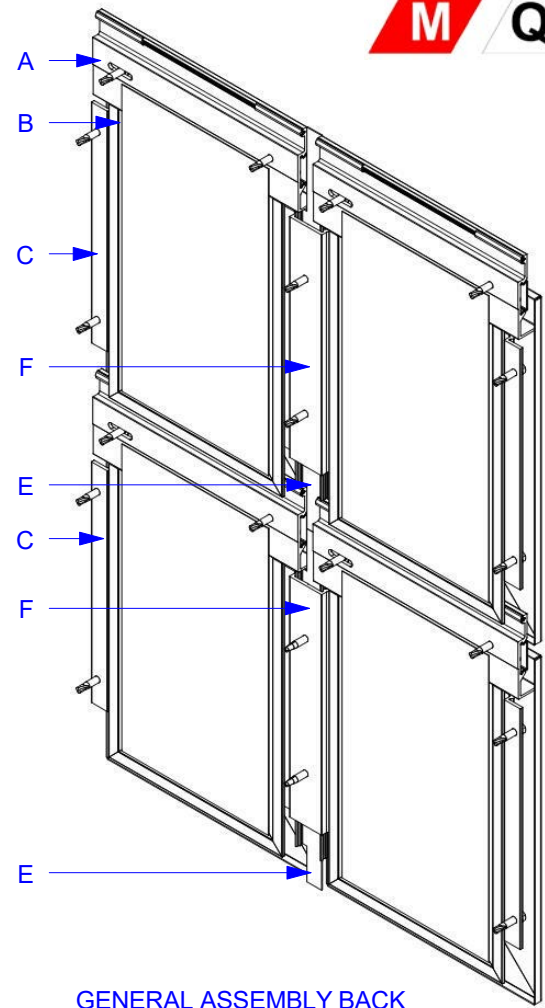
*Standard Panel Code Minimum = L / 60 @ 50psf, figures based on 50psf

NOTE:
WALLS, WINDOW SYSTEMS, WATERPROOFING, INSULATION, SEALANT, FLASHING, ANCHORS, & FASTENERS SHOWN FOR CONTEXT AND ILLUSTRATION PURPOSES ONLY. THESE COMPONENTS ARE NOT PROVIDED BY QC FACADES THEY ARE TO BE COORDINATED & SUPPLIED BY THE INSTALLER OR OTHER RELEVANT TRADES. PLEASE CONSULT THE RELEVANT EXPERT ABOUT ALL COMPONENTS OUTSIDE OF QC FACADES SYSTEM'S SCOPE.

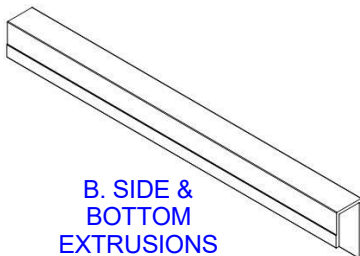
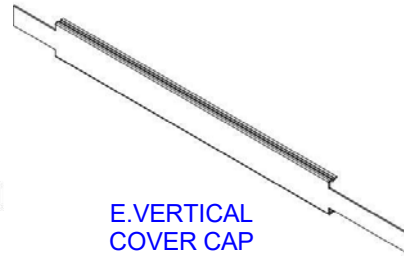
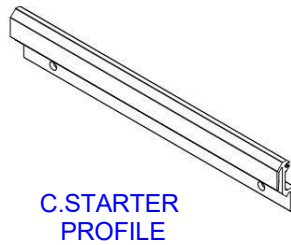
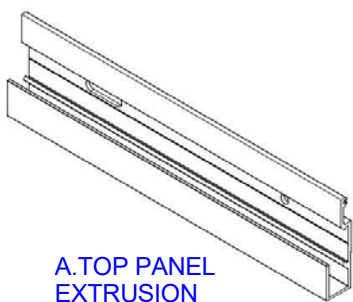
THIS DRAWING IS COPYRIGHT AND SHOULD NOT BE USED OR REPRODUCED FOR ANY PURPOSE OTHER THAN FOR WHICH IT IS SUPPLIED, WITHOUT WRITTEN CONSENT FROM QC FACADES. DRAWINGS ARE NOT TO SCALE. DETAILS PROVIDED FOR TYPICAL CONDITIONS ONLY AND ACTUAL PROJECT REQUIREMENTS MAY VARY. ©2016 QC FACADES



GENERAL ASSEMBLY FRONT

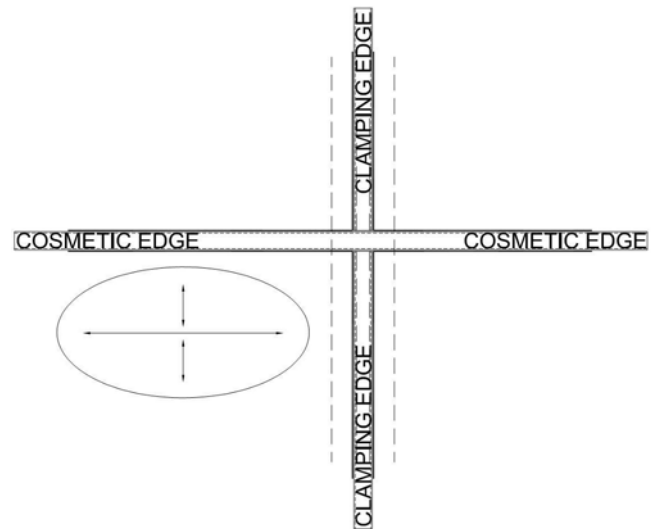
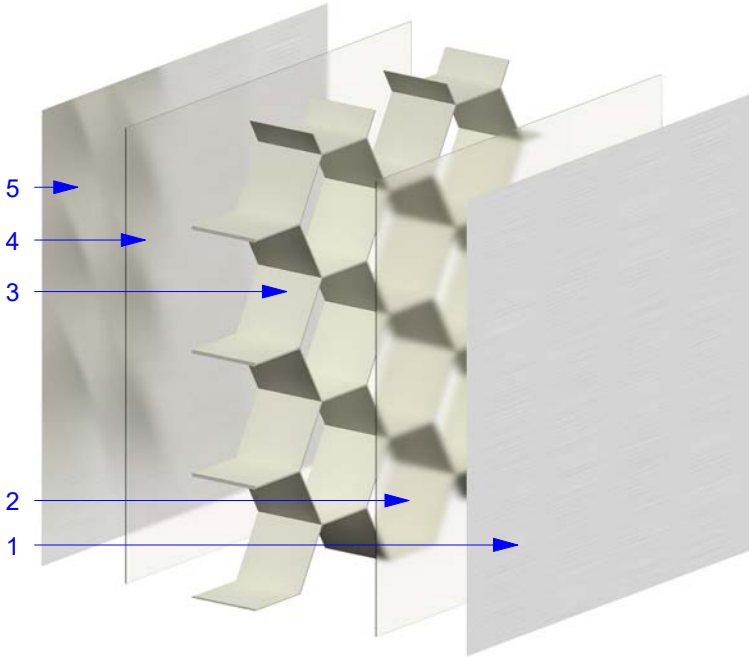


GENERAL ASSEMBLY BACK



NOTE:
WALLS, WINDOW SYSTEMS, WATERPROOFING, INSULATION, SEALANT, FLASHING, ANCHORS, & FASTENERS SHOWN FOR CONTEXT AND ILLUSTRATION PURPOSES ONLY. THESE COMPONENTS ARE NOT PROVIDED BY QC FACADES THEY ARE TO BE COORDINATED & SUPPLIED BY THE INSTALLER OR OTHER RELEVANT TRADES. PLEASE CONSULT THE RELEVANT EXPERT ABOUT ALL COMPONENTS OUTSIDE OF QC FACADES SYSTEM'S SCOPE.

THIS DRAWING IS COPYRIGHT AND SHOULD NOT BE USED OR REPRODUCED FOR ANY PURPOSE OTHER THAN FOR WHICH IT IS SUPPLIED, WITHOUT WRITTEN CONSENT FROM QC FACADES. DRAWINGS ARE NOT TO SCALE. DETAILS PROVIDED FOR TYPICAL CONDITIONS ONLY AND ACTUAL PROJECT REQUIREMENTS MAY VARY. ©2016 QC FACADES

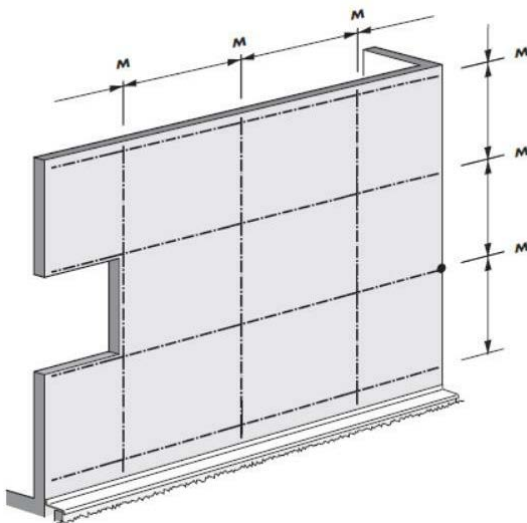


QUADROCLAD METAL FACADE PANELS

OUR METAL FACADES FEATURE LIGHTWEIGHT SKINS FUSED TO AN EXPANDED HONEYCOMB CORE OF ALUMINUM FOR EXTREME STRENGTH AND FLATNESS IN SIZES UP TO UP 1500MM(4.9FT) WIDE AND 6100MM(20FT) LONG. OUR SYSTEM OFFERS SPECIALTY SHAPES AND CURVES, AS WELL AS A WIDE RANGE OF COLORS.

- 1 = PRE-COATED AND ROLL FORMED ALUMINUM
- 2 = ADHESIVE FILE
- 3 = ALUMINUM HONEYCOMB
- 4 = ADHESIVE FILE
- 5 = PRE-COATED ALUMINUM INTERNAL SKIN

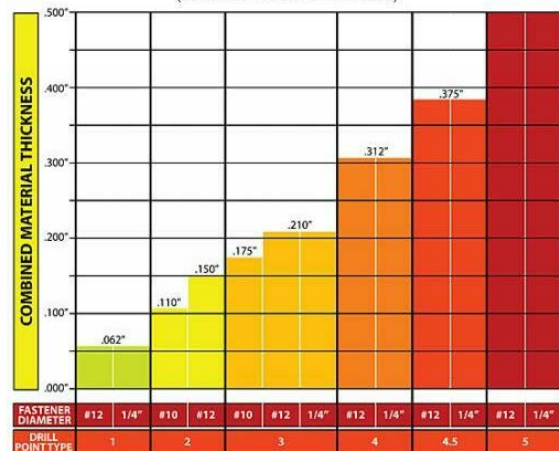
PANEL EXPANSION & CONTRACTION



PANEL WALL PLACEMENT

SELF-DRILLING SCREWS – DRILLING CAPACITY

(COMBINED MATERIAL THICKNESS)



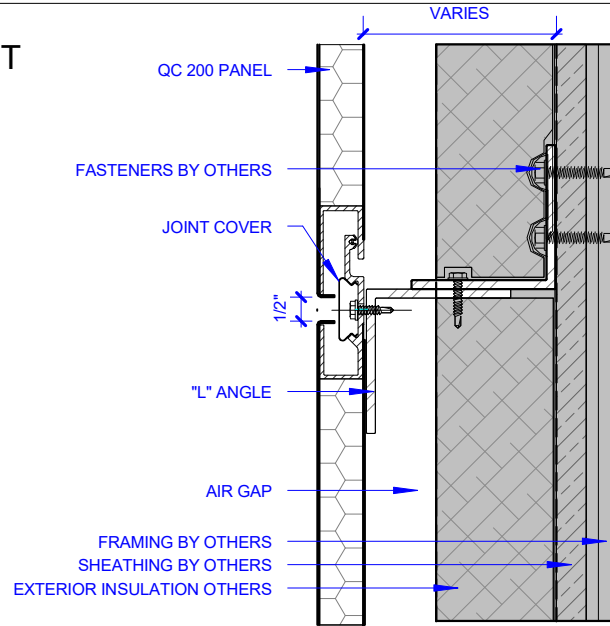
DRILLING CAPACITY

NOTE: WALLS, WINDOW SYSTEMS, WATERPROOFING, INSULATION, SEALANT, FLASHING, ANCHORS, & FASTENERS SHOWN FOR CONTEXT AND ILLUSTRATION PURPOSES ONLY. THESE COMPONENTS ARE NOT PROVIDED BY QC FACADES THEY ARE TO BE COORDINATED & SUPPLIED BY THE INSTALLER OR OTHER RELEVANT TRADES. PLEASE CONSULT THE RELEVANT EXPERT ABOUT ALL COMPONENTS OUTSIDE OF QC FACADES SYSTEM'S SCOPE.

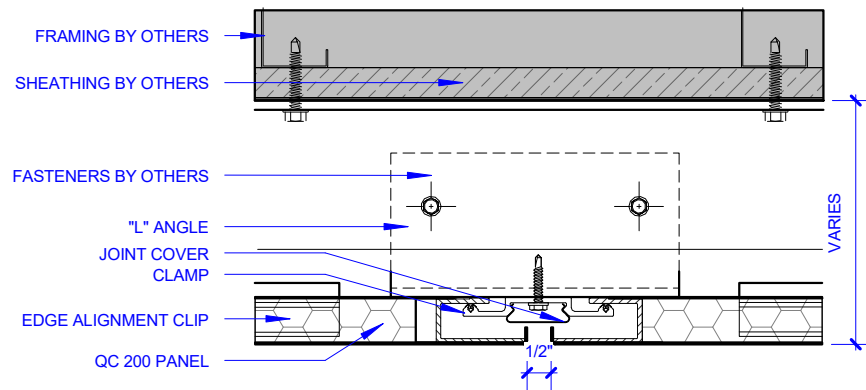
THIS DRAWING IS COPYRIGHT AND SHOULD NOT BE USED OR REPRODUCED FOR ANY PURPOSE OTHER THAN FOR WHICH IT IS SUPPLIED, WITHOUT WRITTEN CONSENT FROM QC FACADES. DRAWINGS ARE NOT TO SCALE. DETAILS PROVIDED FOR TYPICAL CONDITIONS ONLY AND ACTUAL PROJECT REQUIREMENTS MAY VARY. ©2016 QC FACADES



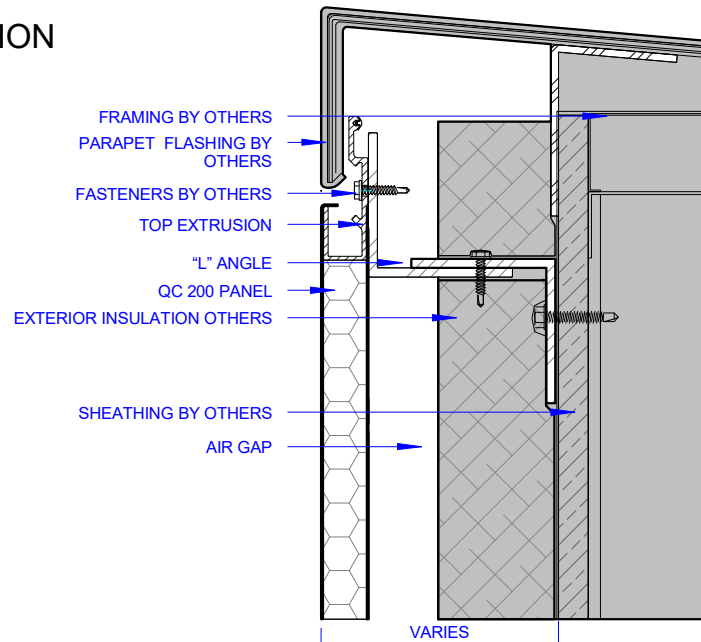
(A) HORIZONTAL JOINT



(B) VERTICAL JOINT



(C) PARAPET CONDITION

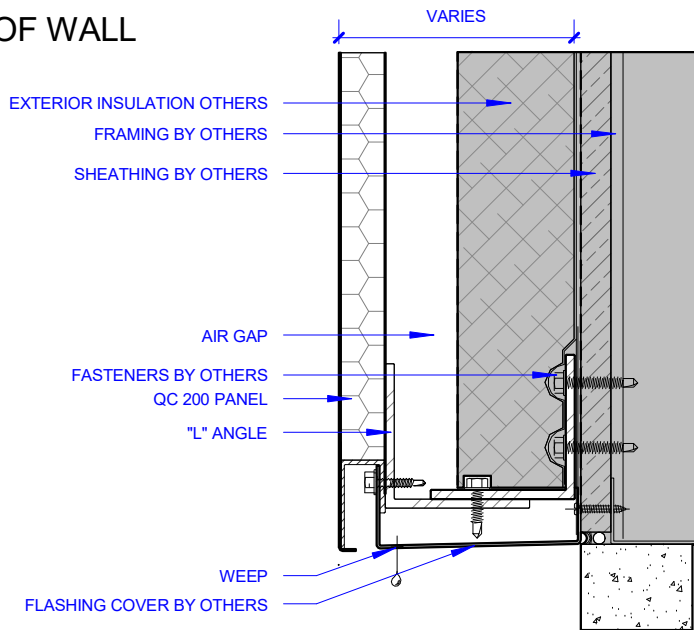


NOTE:
WALLS, WINDOW SYSTEMS, WATERPROOFING, INSULATION, SEALANT, FLASHING, ANCHORS, & FASTENERS SHOWN FOR CONTEXT AND ILLUSTRATION PURPOSES ONLY. THESE COMPONENTS ARE NOT PROVIDED BY QC FACADES THEY ARE TO BE COORDINATED & SUPPLIED BY THE INSTALLER OR OTHER RELEVANT TRADES. PLEASE CONSULT THE RELEVANT EXPERT ABOUT ALL COMPONENTS OUTSIDE OF QC FACADES SYSTEM'S SCOPE.

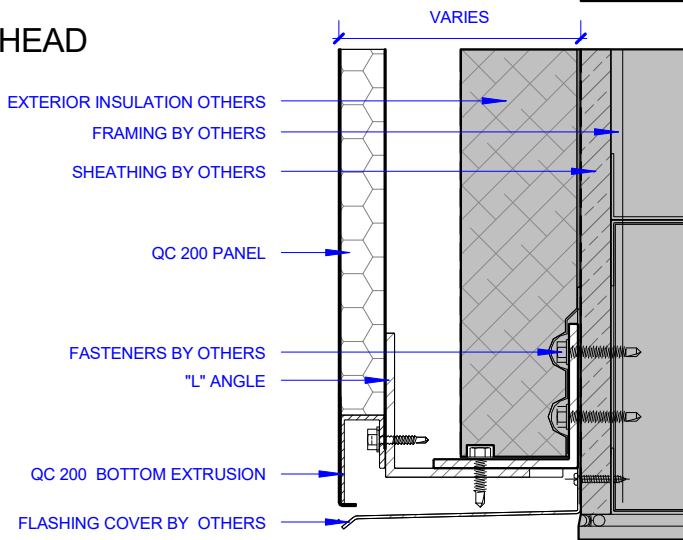
THIS DRAWING IS COPYRIGHT AND SHOULD NOT BE USED OR REPRODUCED FOR ANY PURPOSE OTHER THAN FOR WHICH IT IS SUPPLIED, WITHOUT WRITTEN CONSENT FROM QC FACADES. DRAWINGS ARE NOT TO SCALE. DETAILS PROVIDED FOR TYPICAL CONDITIONS ONLY AND ACTUAL PROJECT REQUIREMENTS MAY VARY. ©2016 QC FACADES



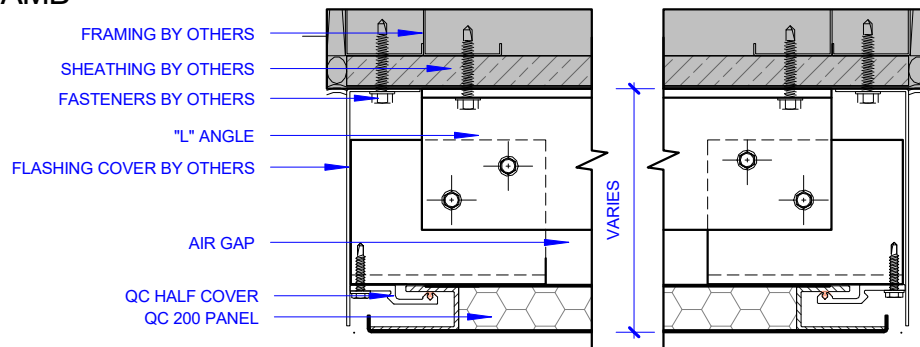
D BOTTOM OF WALL



E WINDOW HEAD



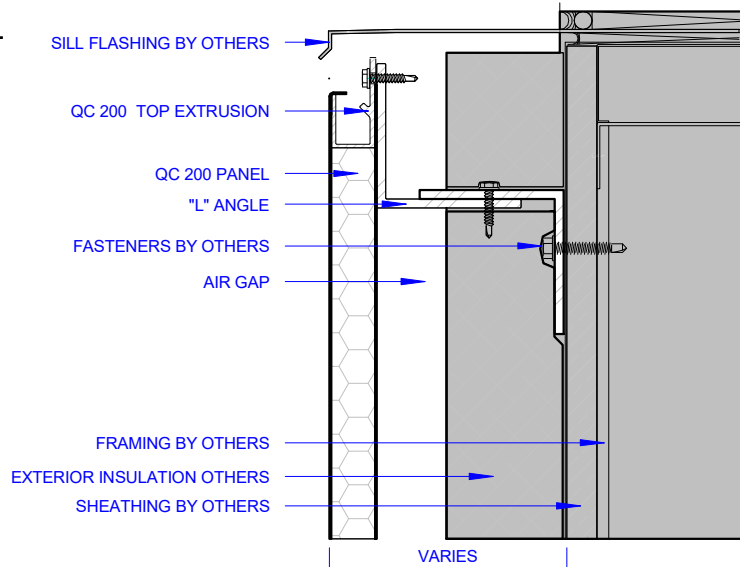
F WINDOW JAMB



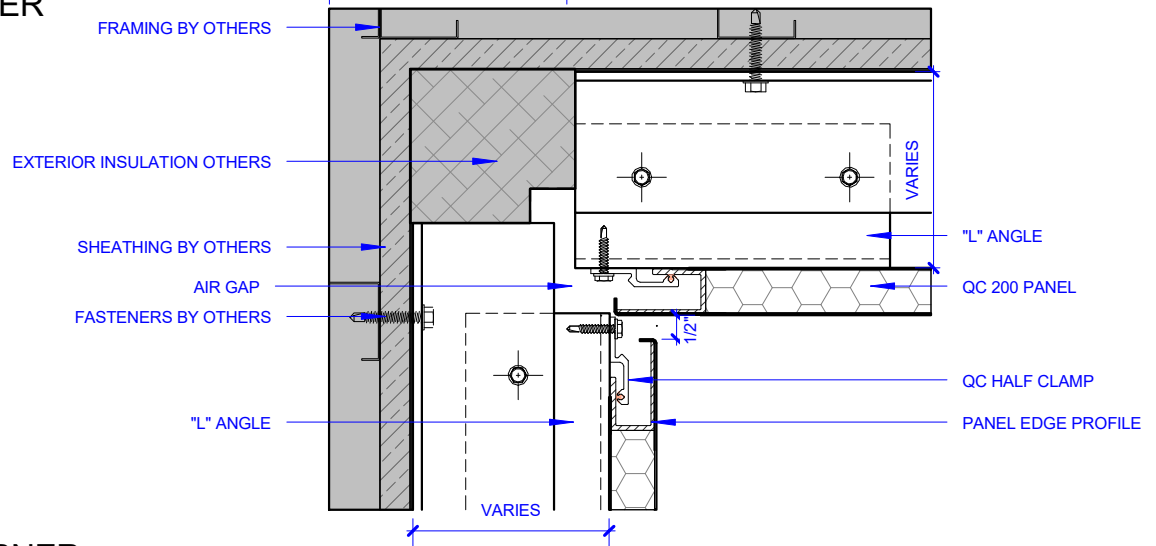
NOTE:
WALLS, WINDOW SYSTEMS, WATERPROOFING, INSULATION, SEALANT, FLASHING, ANCHORS, & FASTENERS SHOWN FOR CONTEXT AND ILLUSTRATION PURPOSES ONLY. THESE COMPONENTS ARE NOT PROVIDED BY QC FAÇADES THEY ARE TO BE COORDINATED & SUPPLIED BY THE INSTALLER OR OTHER RELEVANT TRADES. PLEASE CONSULT THE RELEVANT EXPERT ABOUT ALL COMPONENTS OUTSIDE OF QC FAÇADES SYSTEM'S SCOPE.

THIS DRAWING IS COPYRIGHT AND SHOULD NOT BE USED OR REPRODUCED FOR ANY PURPOSE OTHER THAN FOR WHICH IT IS SUPPLIED, WITHOUT WRITTEN CONSENT FROM QC FAÇADES. DRAWINGS ARE NOT TO SCALE. DETAILS PROVIDED FOR TYPICAL CONDITIONS ONLY AND ACTUAL PROJECT REQUIREMENTS MAY VARY. ©2016 QC FAÇADES

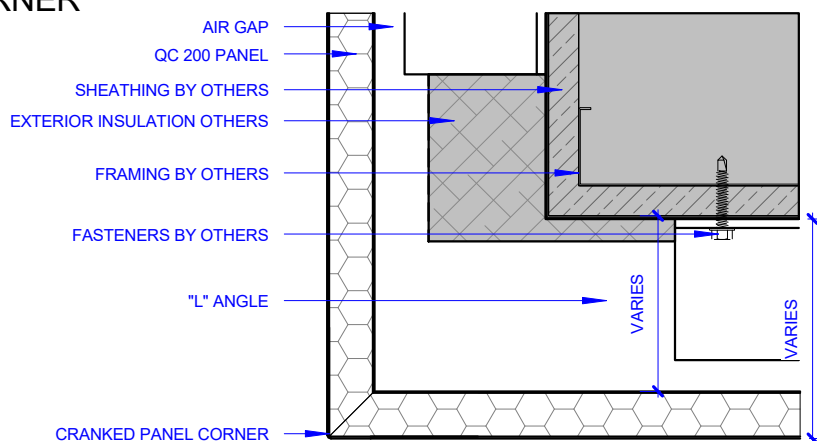
G WINDOW SILL



H INSIDE CORNER



I OUTSIDE CORNER



NOTE:
WALLS, WINDOW SYSTEMS, WATERPROOFING, INSULATION, SEALANT, FLASHING, ANCHORS, & FASTENERS SHOWN FOR CONTEXT AND ILLUSTRATION PURPOSES ONLY. THESE COMPONENTS ARE NOT PROVIDED BY QC FACADES THEY ARE TO BE COORDINATED & SUPPLIED BY THE INSTALLER OR OTHER RELEVANT TRADES. PLEASE CONSULT THE RELEVANT EXPERT ABOUT ALL COMPONENTS OUTSIDE OF QC FACADES SYSTEM'S SCOPE.

THIS DRAWING IS COPYRIGHT AND SHOULD NOT BE USED OR REPRODUCED FOR ANY PURPOSE OTHER THAN FOR WHICH IT IS SUPPLIED, WITHOUT WRITTEN CONSENT FROM QC FACADES. DRAWINGS ARE NOT TO SCALE. DETAILS PROVIDED FOR TYPICAL CONDITIONS ONLY AND ACTUAL PROJECT REQUIREMENTS MAY VARY. ©2016 QC FACADES