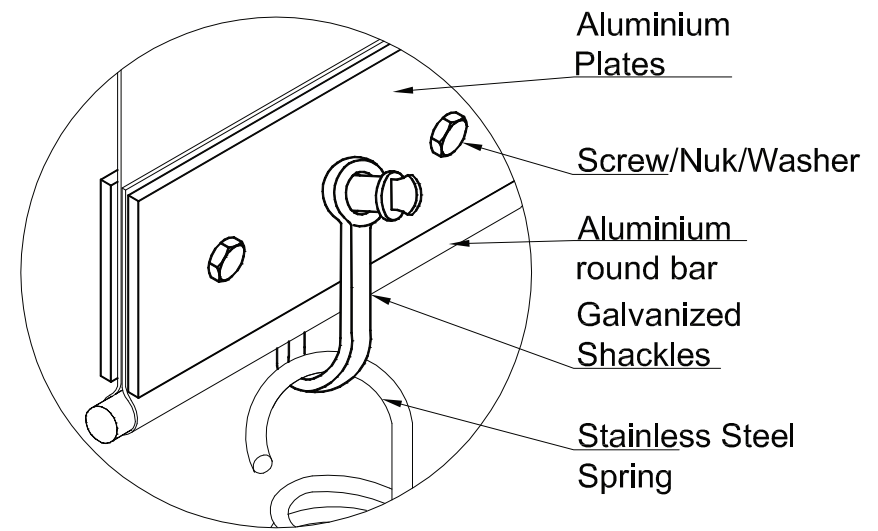
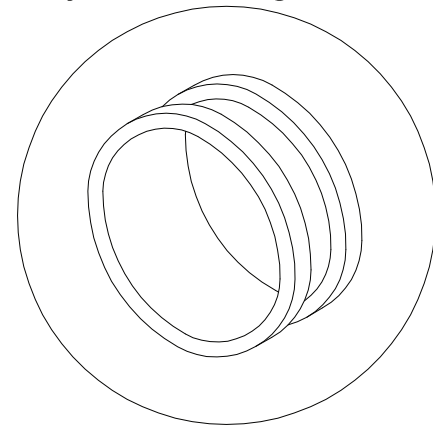


Ending press Detail



Plastic adjustable ring Detail



	NAMES	DATES	SIGNATURES	TOLERANCES AS SPECIFIED	DIMENSIONS IN MILLIMETERS	SCALE	HunterDouglas		2300 South 2300 West Salt Lake City, UT 84119 tel 877-994-6246 www.hdfacades.com	
PROJECT	D.BRAVO	25.02.09		± 0,00	S/E		FAÇADES			
DESIGN	D.BRAVO	25.02.09	PRODUCTION SECTOR				PRODUCTION CODE	FORMAT		
REVIEW	V.CATONI	20.03.09	SECTOR				XXXXXXXX.XXXX	A0		
							CODE	ELEMENT	CORRELATIVE	REVISION
AURAWEAWE							LX45	00	00	0